

# UPMC240

Mobile slewing jib crane | Uplifter

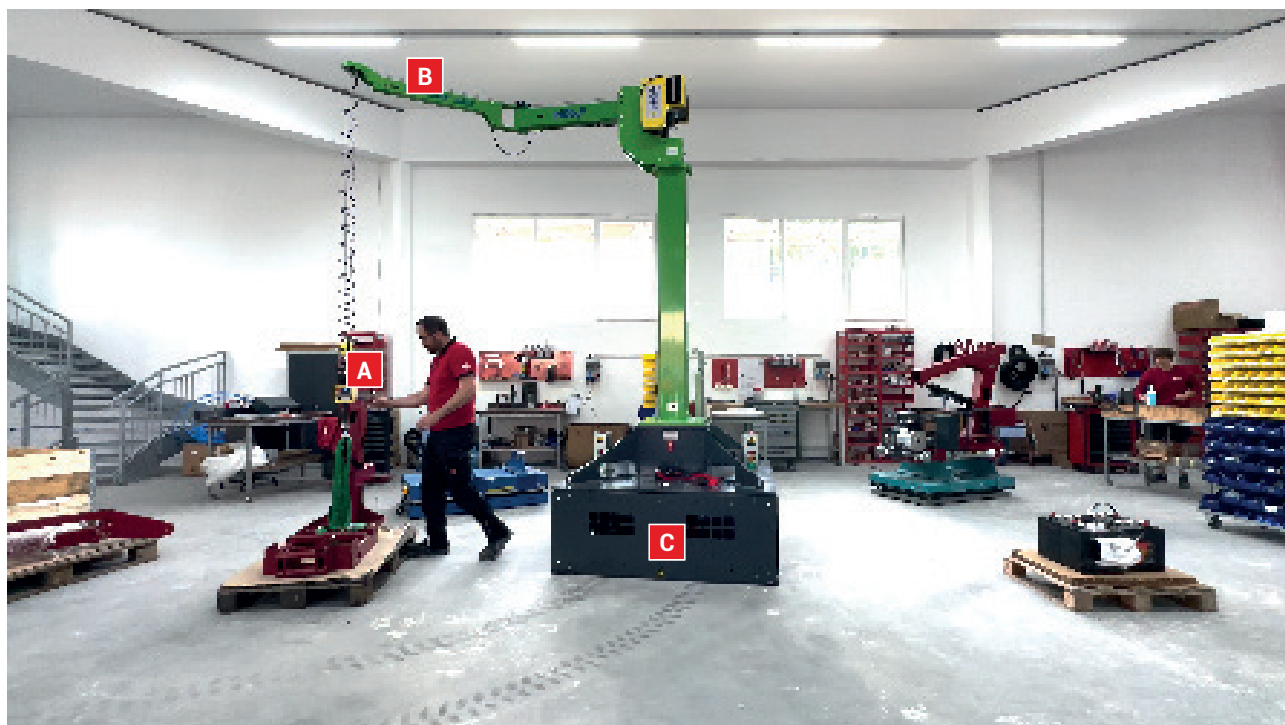


- Load capacity up to **240 kg**
- L x W x H 1,502 x 1,502 x 3,624 mm
- Battery-operated
- Fully proportional remote control for travelling
- Slewing jib crane with balancer
- Customised speed
- Customised weight: 1,350 kg



Uplifter GmbH & Co.KG

Oberaich 5 | 92543 Guteneck  
Germany  
T +49 9433 204990  
[www.uplifter.com](http://www.uplifter.com)



**A** The balancer makes lifting loads of up to 240 kg as light as a feather.

**B** The swivel arm follows every movement and is therefore ideal for lifting.

**C** The stable platform can be lowered for greater stability and can be moved using a chain drive.

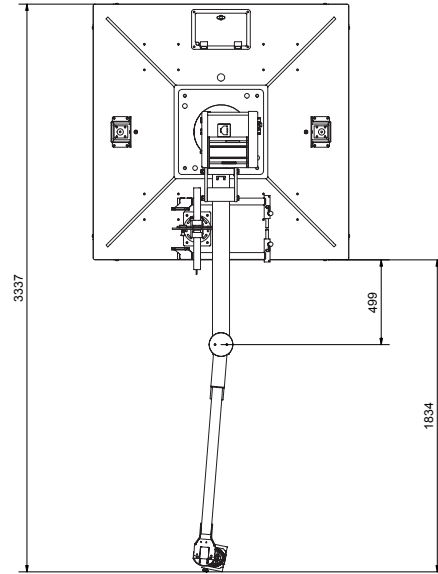
# UPMC240

Mobile slewing jib crane | Uplifter



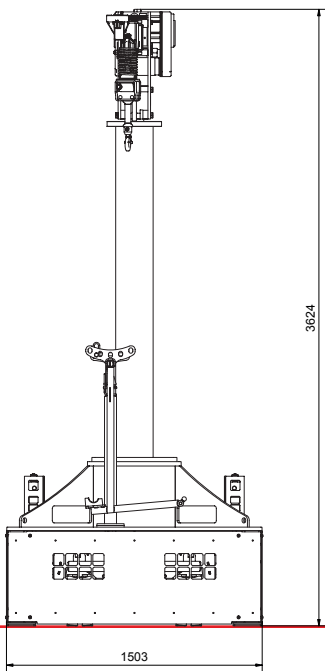
Load capacity	240 kg
Outdoor suitable	
Radio remote control	
Own weight*	1.350 kg
Length	1,5 m
Width	1,5 m
Height	3,6 m
Working radius	ca. 1,8 m

Top view

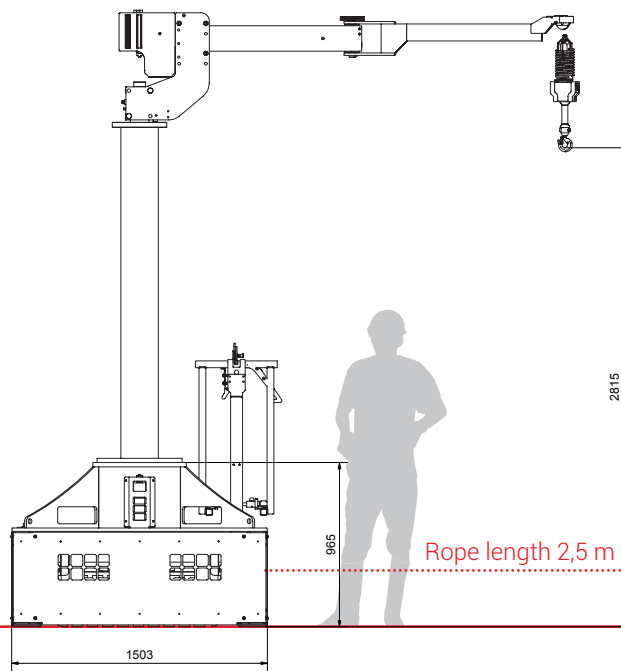


**TIP**

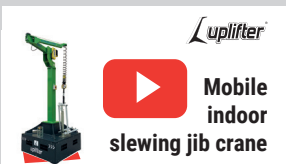
As a transport base, the Uplifter UPM1225 offers the ideal platform for transport solutions and special machine construction.



Front view



Side view



You can find interesting videos with **areas of application** on **YouTube**. Subscribe to our channel to find out more about the possibilities of our machines. From **instruction videos** to construction site use, everything is included.